



Installation Guide
HARRYWOOD PLUS



THE BEAUTY AND
RICHNESS OF WOOD
without the maintenance!



ATTENTION

PROTECTION

The material may have sharp edges. We recommend using protection equipment, including safety boots, helmet, goggles, and gloves.



WARRANTY

FOR THE WARRANTY TO BE APPLICABLE, INSTALLATION MUST BE CARRIED OUT IN ACCORDANCE WITH THE STANDARDS SET OUT IN THE UPDATED BUILDING CODE, ALONG WITH THE MANUFACTURER'S RECOMMENDATIONS.

In the event that a problem occurs during the installation of the profiles, it's important to notify the supplier before the installation of 144 sq. ft. (2 boxes), to make sure that the warranty will apply. Over 144 sq. ft. the responsibility for the installation lies with the installer.

INSPECTION

When you receive your order, it is important to inspect the product immediately. If there are any issues with your order or if panels arrive damaged, you should inform your supplier as soon as possible.

HANDLING

Handle the box with care, ensuring you move it without bending the contents.



STORAGE

In order to maintain the aesthetic and physical properties of MAC Metal Architectural's Board and Batten metal siding, it is important to follow certain storage rules.

If panels cannot be installed immediately after delivery, store them indoors in a dry, well-ventilated area. Customers are responsible for the risks associated with storing panels outdoors. If the material must be stored outdoors, here are some recommendations:

Place panels flat, in an area that is not directly exposed to sunlight or extreme temperatures, as these factors can cause the protective film to adhere more strongly to the panels than normal. This makes the film difficult to remove and can leave glue marks on the panels.

ZIP SYSTEM INSULATED R-SHEATHING PANEL

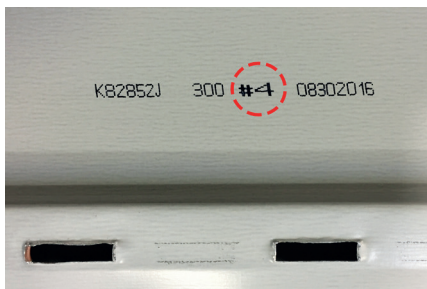
Installation of MAC siding over ZIP System Insulated R-Sheathing or similar dual composition panels that include a softer-than-wood compound is not recommended.

This type of panel does not provide a rigid installation base for MAC products and allows for warping when exposed to sunlight depending on temperature. This may then result in the cladding sheets becoming warped.

WOOD COLLECTION INSTALLATION

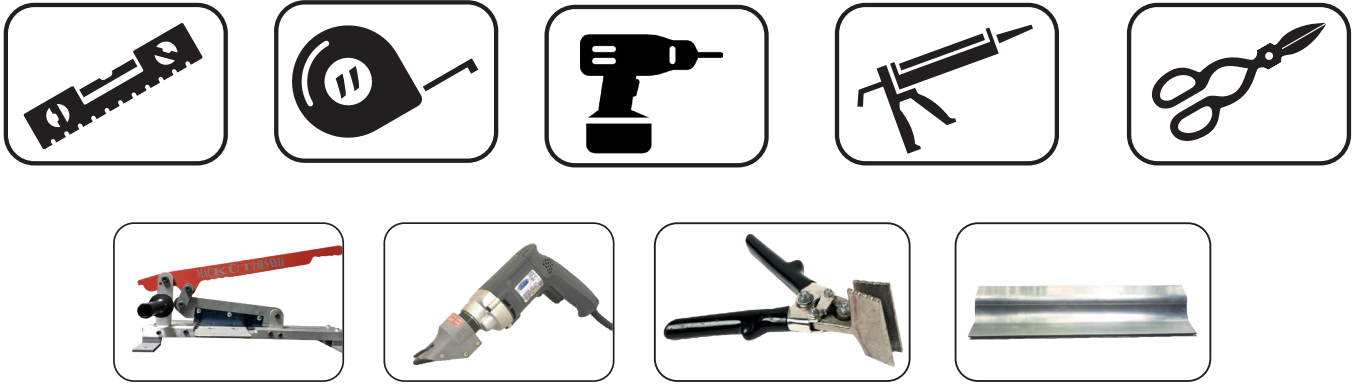
All the colors in the wood collection are available in six different planks of various wood grains and shades. Each of the planks are identified on the back side with a sequence of numbers from 1 to 6 in bold characters preceded by the # sign.

*It's important to pay particular attention to this and install the panels in random order to optimize the wood effect. To avoid creating a "wallpaper" effect, never reproduce the same installation sequence.



1. TOOLS

In order to carry out the installation properly, you will need a bending machine or bending pliers, a screwdriver, and sheet metal scissors. You will also need a level, a caulking gun and, measuring tape.



2. ACCESSORIES

Here is the list of accessories for the installation and finishing of the Harwood PLUS profile:

- Wood screws or MAC metal screws depending on the type of project
- Waterproofing membrane
- Self-adhesive elastomeric membrane
- Steel roll
- Moldings
- Sealant

MAC SCREWS

The use of MAC screws is strongly recommended. In addition to being perfectly adapted to the profile, they comply with the ASTM B-117 2000h standard.

However, if another type of screw must be used, it must meet the ASTM B-117 2000h standard in order for the 40-year product warranty to apply.

Fasten the screws until they have moderate contact with the underlying material is not impaired. Screws should not apply upward or downward pressure to avoid bending the profile.



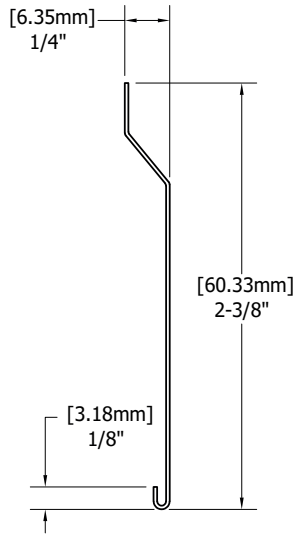
MAC Anti-Corrosion
Self-Drilling K-Latch Screw
A058.250



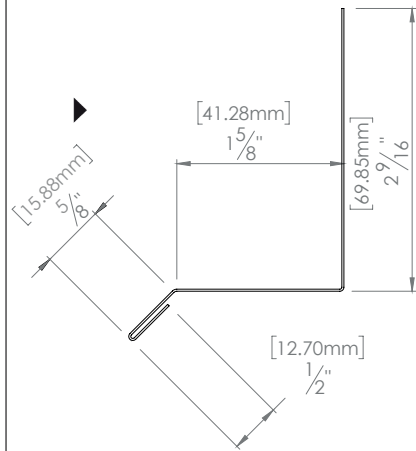
MAC Anti-Corrosion Wood
Screw A059.250

HARRYWOOD PLUS TRIM & FLASHING

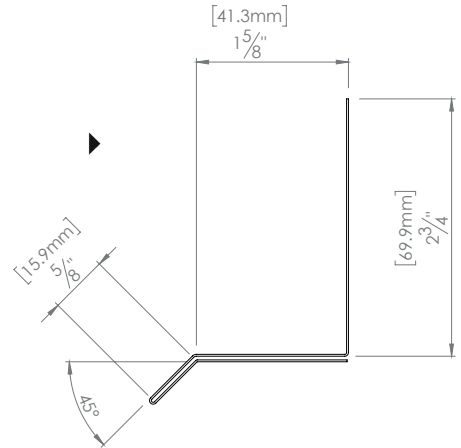
No. M10SHW (Harrywood PLUS)
Starting Strip



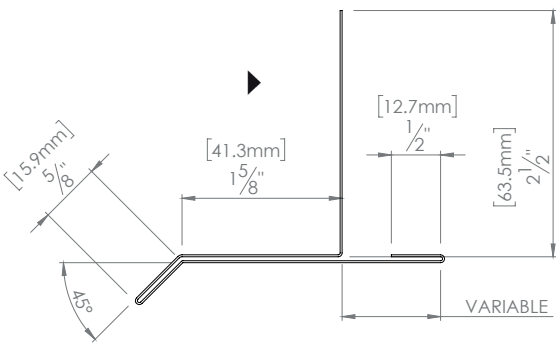
No. M50CD (HW, HWP, MS 14 NWM & NW)
Flashing Drip



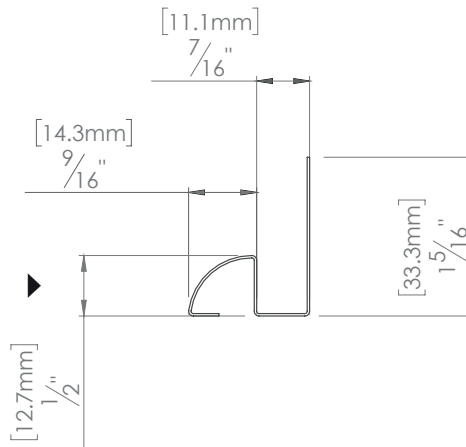
No. M53CD (HW, HWP, MS 14, NWM & NW)
Double Flashing Drip



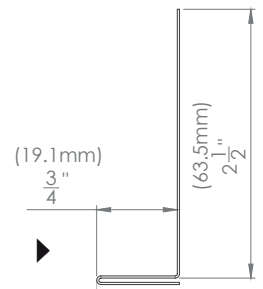
No. M56CD (HW, HWP, MS 14, NWM & NW)
Extended Drip Flashing with Variable



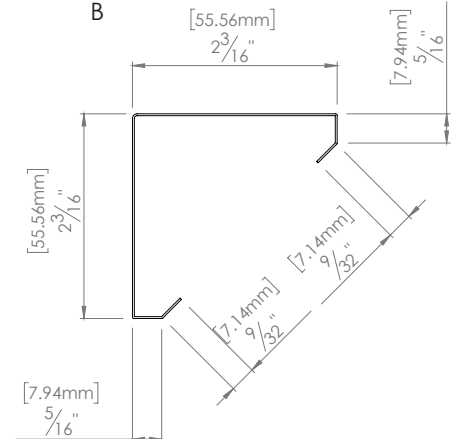
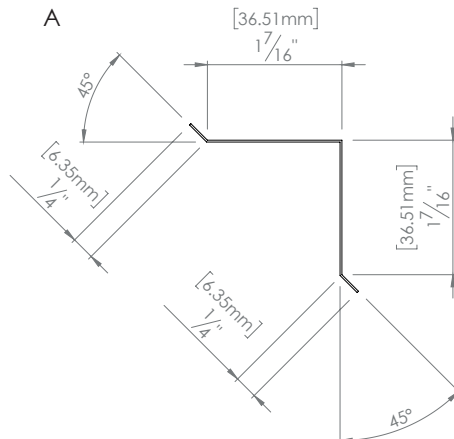
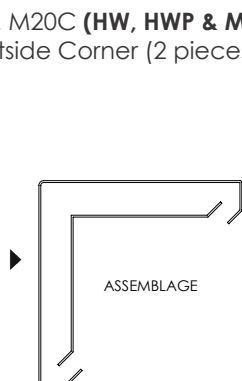
No. M22C (HW, HWP & MS 14)
Inside Corner or QJ



No. M14CD (HW, HWP, MS 14, NWM & NW)
L-Trim



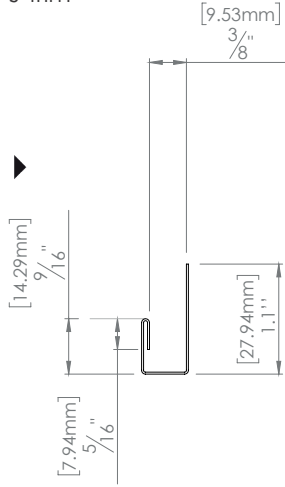
No. M20C (HW, HWP & MS 14)
Outside Corner (2 pieces)



HARRYWOOD PLUS TRIM & FLASHING

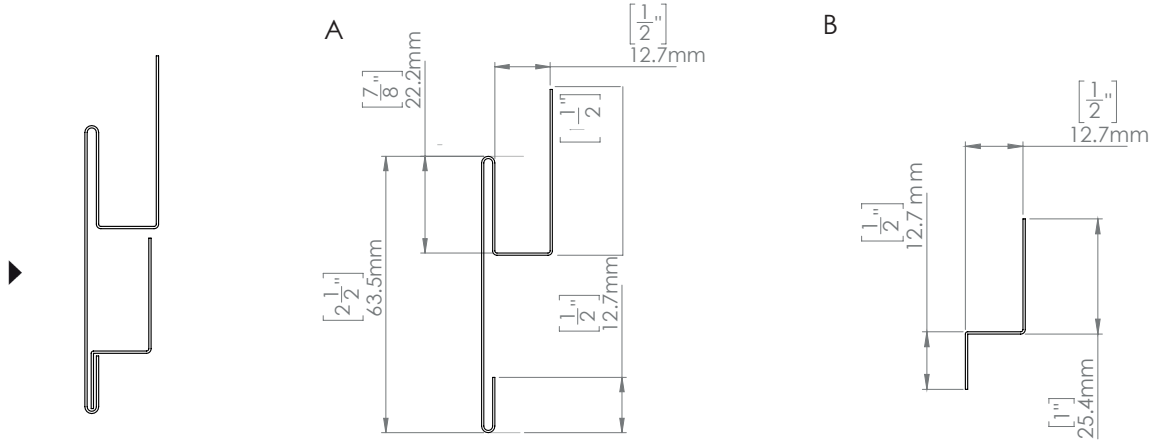
No. M01C (HW, HWP & MS 14)

J-trim



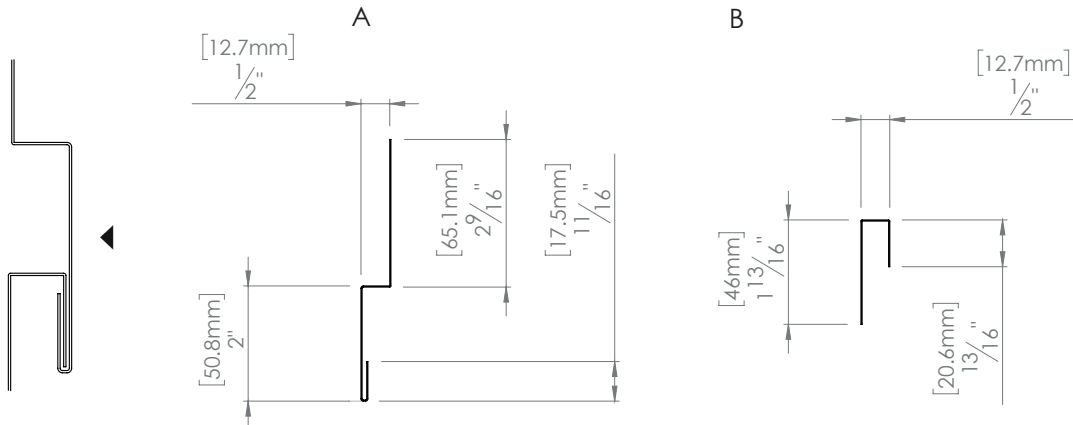
No. M12C (HW, HWP & MS 14)

Vertical Transition Trim (2 pieces)



No. M13C (HW, HWP & MS 14)

Horizontal transition trim (2 pieces)



3. PREPARATION

Before beginning the installation of the Harrywood PLUS profile, make sure that the surface you are covering meets all current industry standards. Always refer to your local building code.

WOOD OR STEEL FURRING

This guide will show you how to install MAC siding on wood furring. Depending on the building codes in your area, wood or steel furring may be required. MAC Metal Architectural siding can be directly installed on the recommended rigid surface covered with a weather/moisture barrier. It is up to the installer to determine the correct wall assembly needed.

CREATE AN INSTALLATION PATTERN

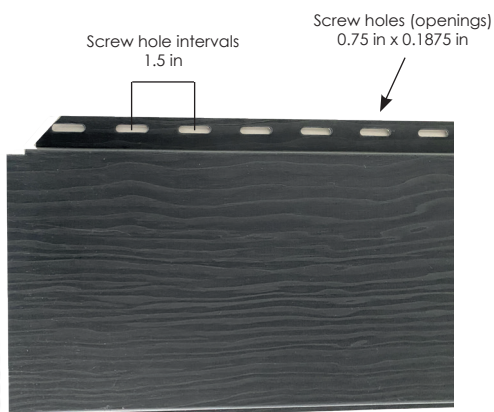
Prior to installation, we recommend that you calculate the width of the wall on which you will be installing the panels in order to create (if this hasn't already been done) an installation pattern based on the size of the panels. This will allow you to determine, if necessary, the sections where the panels will need to be cut.

3.1 EXPANSION

At the cross joint of the panels, space should be provided for expansion or contraction of the material depending on the temperature at the time of installation. A space of 1/8 inch to 1/4 inch should be provided between two female panels. For a new wood building of more than one storey, a transition molding should be installed on each floor. For steel structures, a transition molding should be installed every 30 feet. For a very long wall, it is recommended to install a vertical transition molding every 30 feet.

PANEL FEATURES

- A. 0.16 inch -wide screw rail along the entire length of the structure
- B. 3/4 inch holes for screws, with 2.36 inches in between each hole (center to center)



4. INSTALLATION

Before beginning to install the siding, ensure that your walls are square and level.

Harrywood PLUS wall siding can be installed horizontally, vertically, or diagonally.

4.1 Starter Strips

Using a laser-guided level, a chalk tracer, or a standard level, trace a reference line as a guide to ensure the starter strip is in place.



Now fasten the starter strip, #M10SHWP, 3 inches above the area where you will start your wall. Use either MAC anti-corrosion wood screws or MAC anti-corrosion self-drilling screws (1 1/8-inch or 2 1/2-inch) as needed. Secure it with the first screw. When you are level, screw it in place.

**Make sure the starter strip is level, as it will serve as a guide for the rest of the installation.



4.2 Screws

Tighten the screws with moderate pressure on the metal to allow it to expand. They should not exert upward or downward pressure to avoid distorting the siding and/or opening the joint.

*Screws should be installed in the perforated space already provided every 16 inches to 24 inches (center to center) to allow for expansion if necessary. Use MAC anti-corrosion wood screws or MAC anti-corrosion self-drilling screws (1 1/8-inch or 2 1/2-inch), depending on the type of furring or surface to be screwed. Screws should be screwed in until they have moderate contact with the clip portion of the profile so that they do not interfere with the expansion of the metal. Screws should not exert upward or downward pressure to avoid rounding the profile or opening the panels in the joints. A methodical check of the work should be done every 3 or 4 panels installed at height to detect possible anomalies.

Remove the protective film from the cladding before installation to ensure a proper visual inspection of the installation quality and to make appropriate corrections as the installation progresses.



In cases where the furring is not aligned, we recommend leaving a gap between the wall or furring and the steel siding when the screw is fastened to it in order to avoid creating too much tension on the product, which could lead to warping.



4.3 THE CUTS

If you need to cut the panels, use the Harrywood PLUS cutter designed specifically for the Harrywood PLUS profile as recommended by MAC Architectural Metal.

* For more information on other recommended cutting methods, such as the use of a rotary saw, please refer to the cutting sheet available on our website where you will find information about the details to take into account when carrying out your projects.



4.4 THE JOINTS

Only factory cuts should be used to make the wall joints. The field joints should only be used in wall moldings.



5. INSIDE CORNER

5.1 THE QJ MOLDING

Proceed with the installation of the siding on one of the walls and attach the QJ Inside Corner molding, #M22C. Continue with the installation of the siding, taking care to leave a 1/8-inch gap for expansion. On the other wall, make sure to slide the panels over the end of the QJ Inside Corner molding.



6. OUTSIDE CORNER

The Outside Corner molding, #M20C, is installed in two steps:

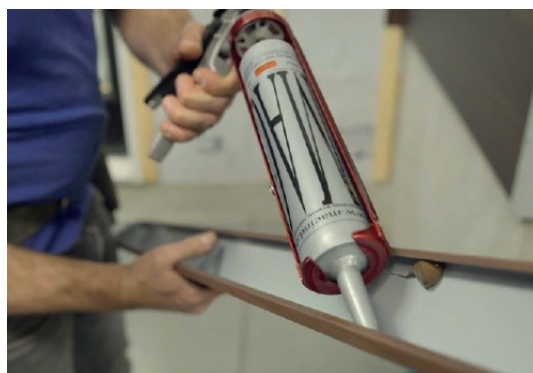
6.1 STEP 1. THE FASTENING MOLDING

After installing the panels on the two walls so that they form a corner, secure the fastening molding in place with screws.

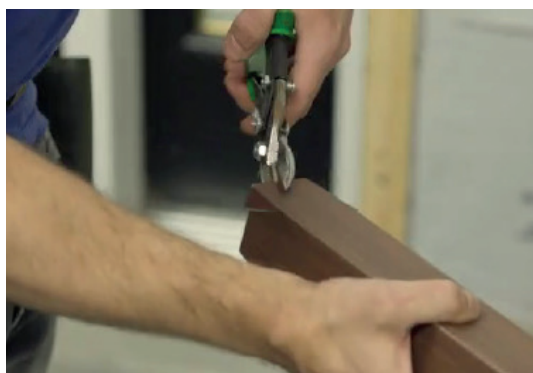


6.2 STEP 2. THE FINISHING MOLDING

Apply random drops of sealant (1 in wide x 1/4 in high), fillet of sealant, to the inside of the finishing molding inside the finishing molding before clamping it in place.



*If you do not have a support, you will have to fasten the corner with a screw. Trim and bend the bottom of the finishing molding to create a mounting surface.



7. WINDOW FRAMING

7.2 ADJUSTMENT

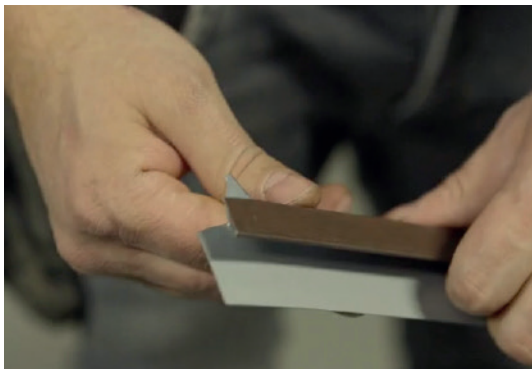
Measure and adjust the plank appropriately before attaching it.

If the panels do not sit flush with the height of the wall, cut it an extra 1/2 inch long so that you can fold it at a 45-degree angle. Then, set the extra piece backwards to add support, and fix the folded sheet onto the extra piece.



7.1 STEP 2. SOFFIT J-TRIM INSTALLATION

If the wall that you are covering has a window, start by installing a J-Trim molding, #M01C, around the three sides of the window. Then, install a drip flashing over the top of the window frame.



7.3 THE SIDES

Continue with the installation of the panels on each side of the window, taking care to install the different shades in a random order (identified by a sequence of numbers from 1 to 6 on the back of the panels).



7.4 THE TOP OF THE WINDOW

We recommend installing a drip flashing before installing the first panel at the top of the window.

In cases where the panel does not reach the full height, cut the panel an extra 1/2-inch long so that you can fold it at a 45-degree angle. Then, attach the cut remnant upside down to provide additional support. Finally, secure the folded sheet onto the cut remnant.



7. WINDOW FRAMING

7.4 THE TOP OF THE WINDOW



8. END OF A WALL

8.1 THE ADJUSTMENTS

Measure and adjust the last panel with electric shears before fastening it in place in the J-Trim #M01C.



In the event that the panel does not reach its full height of the wall, attach the cut panel in the J-Trim #M01C. to provide more support for the cut panel.



8.2 J-TRIM FOR SOFFIT

Next, install the J-Trim Soffit Molding, #M01C, at the top of the wall.



9. PREPARATION

Before taking the first step, make sure that the surface to be covered with the Harrywood PLUS profile meets all industry standards in your area.

9.1 INSTALLATION

PARALLEL-TO-WALL INSTALLATION

Before starting the installation of the soffits, it is recommended, if needed, to install furring to allow the soffit panels to be screwed in place. Furrings installed parallel to the wall will allow this installation to be carried out.

In the case of a soffit installation parallel to the wall, furring must be installed at 16 in center / center, starting with the installation of the first furring from the wall.

*Always ensure that the furring is level.

PERPENDICULAR TO-WALL INSTALLATION

In the case of soffits installed perpendicular to the wall, it is recommended, if needed, install furring every 16 inches (center to center) to provide adequate support for the panels and to avoid fixing problems due to lack of support.

9.2. INSTALLATION OF THE J-TRIM

Now apply the J-Trim, overlapping the last panel of the wall and taking care to affix it to the furring closest to the wall so that the soffit panels can be inserted into it. The panels will be inserted into this J-Trim and then fastened to the furring for both installation methods.

9.3 THE CUTS

For both types of installation, measure and cut the pieces using the MAC cutter designed specifically for the Harrywood PLUS profile, as recommended by MAC Metal Architectural. It is recommended to support the soffit panels at least every 16 inches (center to center) for installations perpendicular to the wall.



9.4 THE JOINTS

When installing the panels parallel to the wall, the ventilation holes of the soffit panels must be folded down at the ends to allow a good fit on the 3/8-inch thick junction block.

In order to create more discrete joints and a continuity effect with the panels, when installing parallel to the wall we recommend fastening a 3/8-inch thick engineered wood block to the furring where the joints meet. The block will then act as a base upon which to join the two panels and will allow the ends of the panels to be screwed onto it.

For non-ventilated joints, do not shim.



9.5 THE FINISH

Once all the panels are installed, the finishing or crowning of the fascia can be done with a custom-bent steel strip. MAC Metal Architectural recommends that installers make the custom molding by double tapping at both ends of the molding. This action will stiffen the molding and help prevent it from warping. As when installing panels, not to overtighten the molding in place since this could cause indentation and deformation of the molding.



9.6 THE EXPANSION

At the transverse joint of the panels, remember to leave space for the expansion of the material depending on the temperature during installation. Leave a space of 1/8 inch between two female panels and 1/8 inch for moldings as well.



For more information on the installation of the Harrywood PLUS profile, visit the PRO section of our website, MACmetalarchitectural.com, or our Youtube channel.

You'll find a bank of technical information about the profile, including a series of installation videos, molding booklets, and technical drawings.



MAC Metal Architectural
5975 Ch. de la Savane,
Saint-Hubert, QC J3Y 0X1
T. 450 464-5486 | T. F. 450 464-4538
info@MACmetalarchitectural.com
MACmetalarchitectural.com